

WH-V220 Pan/Tilt/Zoom CCTV camera

22x Optical zoom, Indoor application

The WH-V220 Pan/ Tilt/ Zoom CCTV camera is video surveillance camera for indoor environments application, such as factory, parking lot and airport.

The WH-V220 PTZ camera with motorized zoom lens (22x optical zoom), 360 degree pan and 90 degree tilt. This pan rotation speed up to 180 degree per second, combine performance and flexibility, suited for wide range security surveillance.



Quality Assurance

- Green design
- Corrosion proof
- Improved blower and heater
- 100% passed durability test
- Innovated and practical design
- Temperature test, voltage protective test

Highlights

- ▶ Sharp 480 TV Lines
- ▶ Powerful Video-Processing chip
- ▶ 64 Preset Point
- ▶ 22x Optical zoom and 16x Digital zoom
- ▶ Powerful **Pan/Tilt/Zoom** function
- ▶ Vandal-Proof Dome Cove (Max load 380kg)
- ▶ Advanced 1/4" Super HAD CCD Sensor
- ▶ Dual **MPEG4 & MJPEG** stream compression
- ▶ Protection Classification **IP 66** to DIN EN 60529



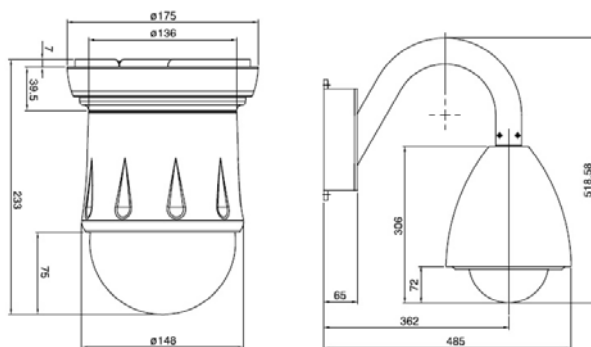
Powerful 22x Optical Zoom

- Auto Iris and Auto Focus
- Superb optical design
- High contrast images

Image System	
Image Sensor	1/4" Super HAD CCD
Picture Pixels	NTSC: 410,000. pixels PAL: 470,000. pixels
Picture Elements	NTSC: 811 x 508 PAL: 795 x 596
Video	
Sync-sync	Internal / External
Lens	f=3.9mm to 85.8mm F=1.6 to 3.8
Angle of Viewing (H)	Wide 52.2° Tele 2.5°
Optical Zoom	22x Optical Zoom
Digital Zoom	16x (352x Digital Zoom)
Focus system	Auto / Manual
Iris system	Auto / Manual
H-Resolution	480TV Lines at NTSC/ PAL
Min illumination	1.0Lux at F1.6 in Color (Day mode)
S/N ratio	More than 48 dB
Shutter	Auto , 1/50 (1/60)~1/10,000.sec
Wide Dynamic Range	No
Digital Slow Shutter	No
Day & Night	No
I/O Interface	
Analog Video Output	BNC connector x 1

Pan / Tilt	
Pan movement	0° ~ 360° continuous endless
Tilt movement	0° ~ 90°
Pan manual speed	0.5°/Sec to 80°/Sec vari-speed
Tilt manual speed	0.5°/Sec to 40°/Sec vari-speed
Preset	64 preset point
Preset Speed	180° per second
Power	
Power	20Vac ~40Vac, 24Vac (Power consumption 45W)
Operating environment	
Operating Temperature	-40 °C ~ 50 °C (-40 ~ 122°F)
Storage Temperature	-40 °C ~ 85 °C (-40 ~ 185°F)
Humidity	5% ~ 95%
Dimension (Ø x H)	Outdoor: 246 mm x 306 mm Indoor: 175mm x 233mm
Outdoor Protected	IP 66 to DIN EN 60529
EMI	
CE, UL	

Dimensions:



World Helmsman Technology Co., Ltd.

3F-5, No. 81, Sec. 1, Hsin Tai Wu Rd., Hsichih,
Taipei Hsien 22101, Taiwan

Tel: +886-2-2906-0816 Fax: +886-2-2904-1360

www.wh-tech.com / Email: sales@wh-tech.com

■ DISTRIBUTED BY 

