

WH-V360 Pan/Tilt/Zoom CCTV camera

36x Optical zoom, High speed dome camera

The WH-V360 Pan/Tilt/Zoom CCTV camera is high sensitivity video surveillance camera, integrated high speed pan/tilt ability, ideal for 360 degree video surveillance, application such as store and public area.

The WH-V360 Pan/Tilt/Zoom CCTV camera is high resolution up to 530 TV line, provide clear image and true color reproduction.

The WH-V360 PTZ camera combines innovation technology and performance well-suited for wide range video surveillance application.



Quality Assurance

- Green design
- Corrosion proof
- Improved blower and heater
- 100% passed durability test
- Innovated and practical design
- Temperature test, voltage protective test

Highlights

- ▶ Sharp **530** TV Lines
- ▶ Advanced Day& Night Function
- ▶ Rotation speed is a high 380° per second
- ▶ WDR (Wide Dynamic Range)
- ▶ DSS (Digital Slow Shutter)
- ▶ Powerful **Pan/Tilt/Zoom** function
- ▶ Vandal-Proof Dome Cove (Max load 380kg)
- ▶ High definition **36x optical zoom**
- ▶ Dual **MPEG4 & MJPEG** stream compression
- ▶ Protection Classification **IP 66** to DIN EN 60529



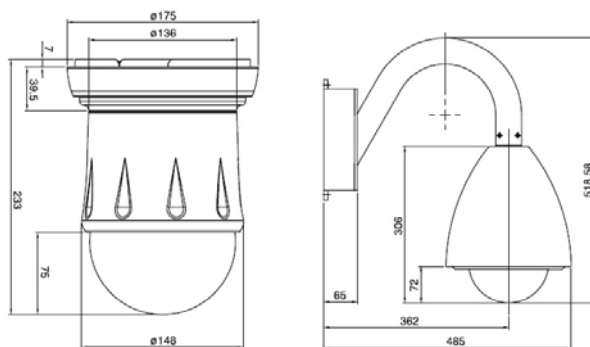
Powerful 36x Optical Zoom

- Auto Iris and Auto Focus
- Superb optical design
- High contrast images
- Wider dynamic range

Image System	
Image Sensor	1/4" Ex-View CCD
Picture Pixels	NTSC: 410,000. pixels PAL: 470,000. pixels
Picture Elements	NTSC: 811 x 508 PAL: 795 x 596
Video	
Sync-sync	Internal / External
Lens	f=3.4mm to 122.4mm F=1.6 to 3.8
Angle of Viewing (H)	Wide 57.8° Tele 1.7°
Optical Zoom	36x Optical Zoom
Digital Zoom	12x (432x Digital Zoom)
Focus system	Auto / Manual
Iris system	Auto / Manual
H-Resolution	530TV Lines at NTSC/ PAL
Min illumination	1.4Lux at F1.6 in Color; 0.01Lux at F1.6 in B/W
S/N ratio	More than 50 dB
Shutter	Auto , 1/3(4)~1/10,000.sec
Wide Dynamic Range	Yes
Digital Slow Shutter	Yes
Day & Night	Yes
I/O Interface	
Analog Video Output	BNC connector x 1

Pan / Tilt	
Pan movement	0° ~ 360° continuous endless
Tilt movement	0° ~ 90°
Pan manual speed	0.5°/Sec to 80°/Sec vari-speed
Tilt manual speed	0.5°/Sec to 40°/Sec vari-speed
Preset	128 preset point
Preset Speed	380° per second
Power	
Power	20Vac ~40Vac, 24Vac (Power consumption 45W)
Operating environment	
Operating Temperature	-40 °C ~ 50 °C (-40 ~ 122°F)
Storage Temperature	-40 °C ~ 85 °C (-40 ~ 185°F)
Humidity	5% ~ 95%
Dimension (Ø x H)	Outdoor: 246 mm x 306 mm Indoor: 175mm x 233mm
Outdoor Protected	IP 66 to DIN EN 60529
EMI	
CE, UL	

Dimensions:



WH™
WORLD HELMSMAN



World Helmsman Technology Co., Ltd.

3F-5, No. 81, Sec. 1, Hsin Tai Wu Rd., Hsichih,
Taipei Hsien 22101, Taiwan

Tel: +886-2-2906-0816 Fax: +886-2-2904-1360

www.wh-tech.com / Email: sales@wh-tech.com

■ DISTRIBUTED BY **CE FC**

